


BA2M-DDT

Small, diffuse reflective type with long sensing distance



■ Features

- Realization of long sensing distance (2m) by special optical design.
- Built-in stable light ON indicator.
- Includes sensitivity adjustment function.
- 2 color LED display.

 Please read "Caution for your safety" in operation manual before using.



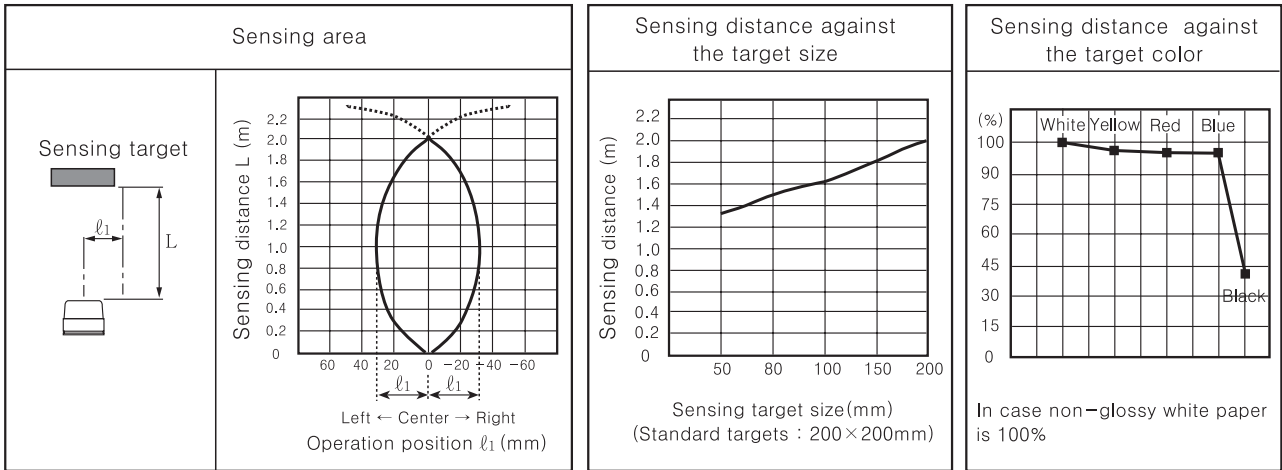
■ Specifications

Model	BA2M-DDT
Sensing type	Diffuse reflective
Sensing distance (★)	2m
Sensing target	Opaque, Translucent, Transparent material
Hysteresis	Max. 20% at rated setting distance
Response time	Approx. 1ms
Power supply	12-24VDC ±10% (Ripple P-P : Max. 10%)
Current consumption	Max. 15mA (Max. 30mA when the output is ON)
Light source	Infrared LED (850nm modulated) □
Sensitivity adjustment	Adjustable VR
Operation mode	Light ON (Dark ON mode is optional)
Control output	NPN open collector output  Load voltage : Max. 30VDC, Load current : Max. 100mA, Residual voltage : Max. 1V
Protection circuit	Reverse polarity protection, Output short-circuit protection
Receiver	Photo diode (Built-in IC) □
Indicator	2 color LED [Operation : Red, Stable : Yellow (Red+Green)]
Insulation resistance	Min. 20MΩ (at 500VDC)
Noise strength	±240V the square wave noise (pulse width:1μs) by the noise simulator
Dielectric strength	1000VAC 50/60Hz for 1minute
Vibration	1.5mm amplitude at frequency of 10 ~ 55Hz in each of X, Y, Z directions for 2 hours
Shock	100m/s ² (10G) in X, Y, Z directions for 3 times
Ambient illumination	Sunlight : Max. 10,000lx, Incandescent lamp : Max. 3,000lx (Receiving illumination)
Ambient temperature	-20 ~ +55°C (at non-freezing status), Storage : -25 ~ +70°C
Ambient humidity	35 ~ 85%RH
Protection	IP50 (IEC standard)
Material	Case : PBT, Lens : PMMA
Cable	3P, φ 3mm, Length : 2m
Accessory	Adjustment driver
Approval	
Unit weight	Approx. 50g

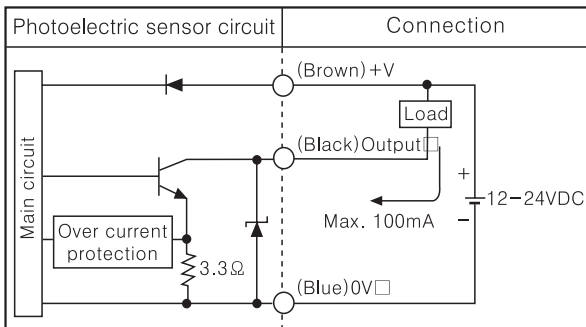
* (★) It is for Non-glossy white paper (200×200mm).

Diffuse Reflective Type with Long Sensing Distance

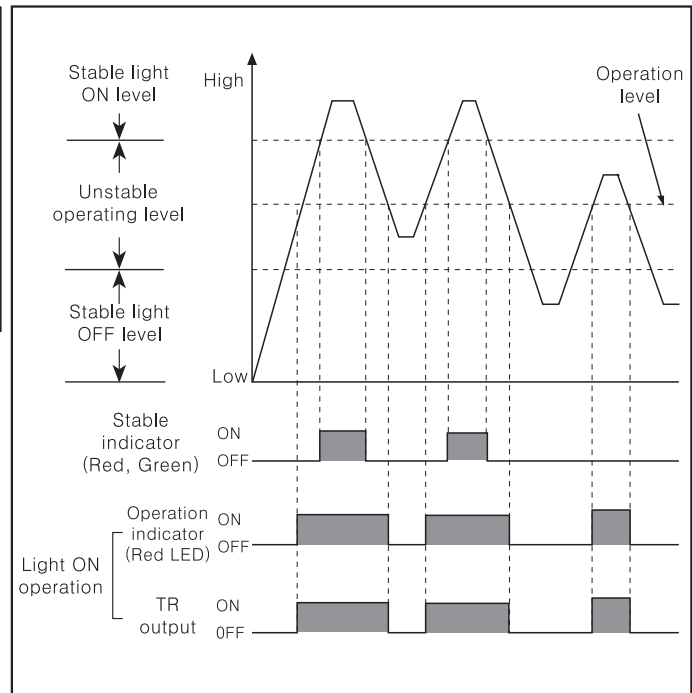
Feature data



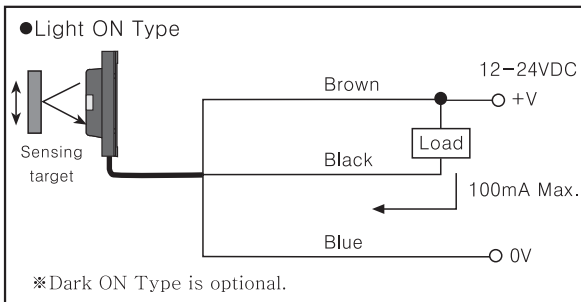
Control output diagram



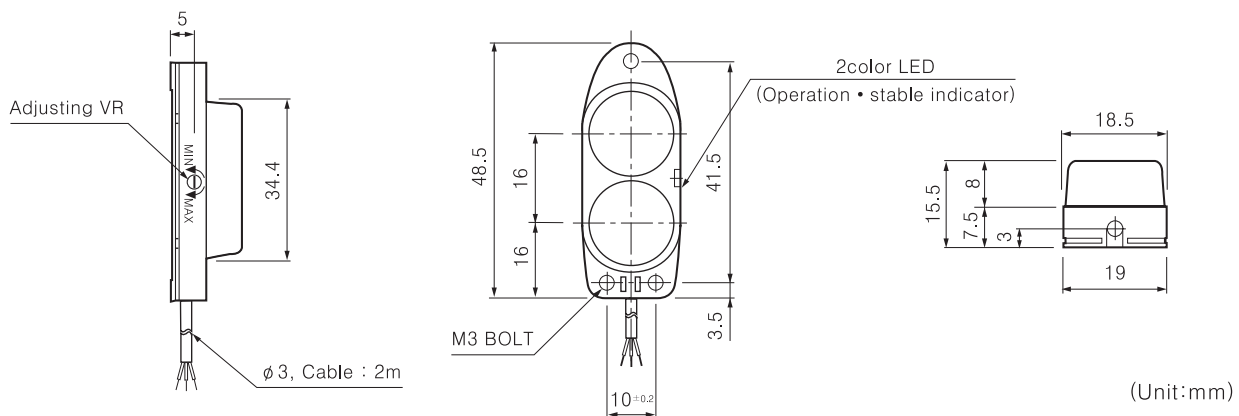
Operation mode



Connections



Dimensions



(A) Counter

(B) Timer

(C) Temp. controller

(D) Power controller

(E) Panel meter

(F) Tacho/Speed/Pulse meter

(G) Display unit

(H) Sensor controller

(I) Switching power supply

(J) Proximity sensor

(K) Photo electric sensor

(L) Pressure sensor

(M) Rotary encoder

(N) Stepping motor & Driver & Controller

(O) Graphic panel

(P) Production stoppage models & replacement