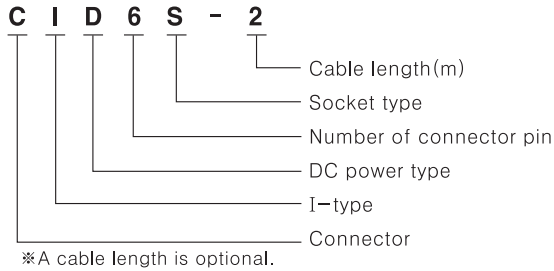


Encoder Connector Cable

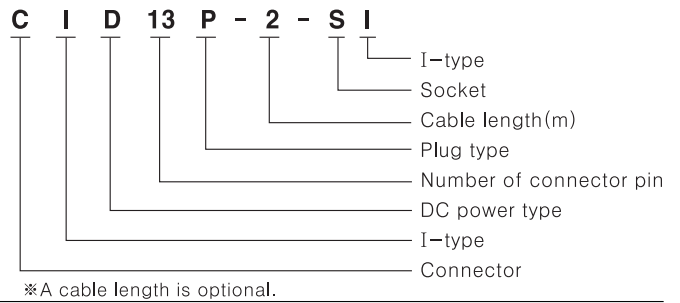
Encoder Connector Cable / General connector cable

Ordering information

◎Socket type



◎Plug-socket type

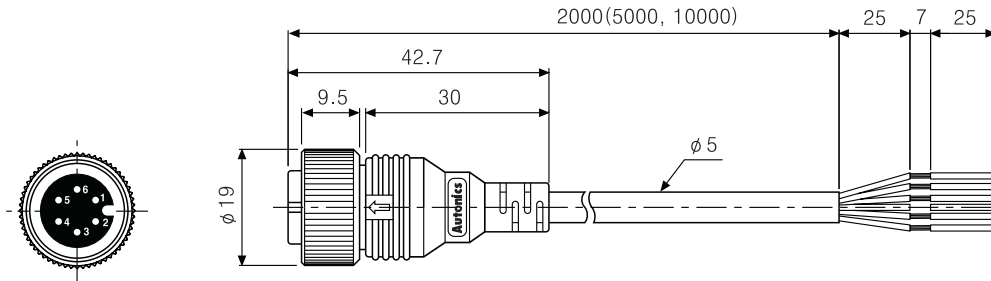


Dimensions

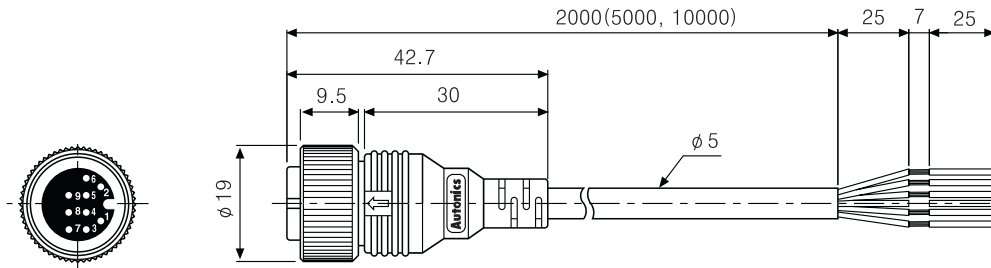
◎Socket type

(Unit:mm)

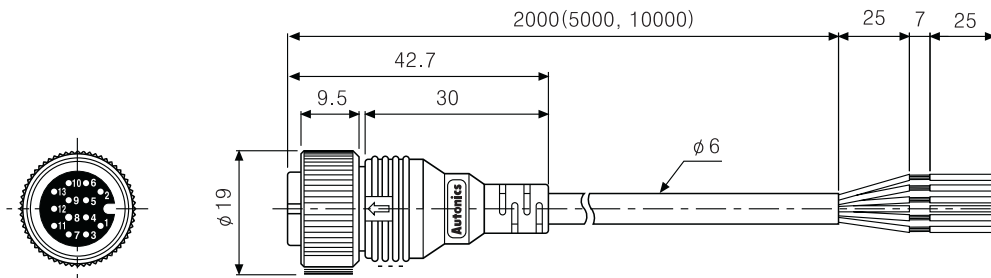
●CID6S-2, CID6S-5, CID6S-10 (Totem pole output / NPN open collector output / Voltage output)



●CID9S-2, CID9S-5, CID9S-10 (Line driver output)

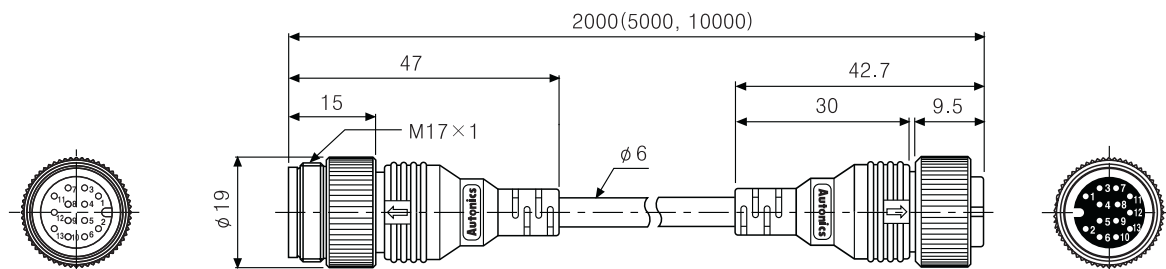


●CID13S-2, CID13S-5, CID13S-10 (For cam positioner)



◎Plug-socket type

●CID13P-2-SI, CID13P-5-SI, CID13P-10-SI (For cam positioner)



(A) Counter

(B) Timer

(C) Temp. controller

(D) Power controller

(E) Panel meter

(F) Tacho/Speed/Pulse meter

(G) Display unit

(H) Sensor controller

(I) Switching power supply

(J) Proximity sensor

(K) Photo electric sensor

(L) Pressure sensor

(M) Rotary encoder

(N) Stepping motor & Driver & Controller

(O) Graphic panel

(P) Production stoppage models & replacement